

PE Tank Lid

Model	Part Number	Approx. Dimension (mm.)						Approx. Weight (kg)
		K	L	k	O	Q	Thk.	
CN-A 	CN0760A-M2X5	760			50		2.50	1.40
	CN0870A-M3X4	870			45		3.00	2.30
	CN1100A-M4X6	1,100			40		3.00	3.50
	CN1100A-M7X6	1,100			40		5.00	6.50
CN-B 	CN0435B-M1X8		435		45	25	3.00	0.70
	CN0590B-M2X5		590		50	25	3.00	1.40
	CN0760B-M2X9		760		75	30	2.50	1.80
	CN0760B-M9X7		760		75	30	7.00	8.60
	CN0940B-M4X8		940		95	45	3.00	3.70
	CN1220B-M6X9		1,220		90	45	3.50	5.80
CN-C 	CN0820C-M113	820			160	30	3.00	2.00
	CN1000C-M114	1,000			235	40	3.00	3.00
	CN1100C-M115	1,100			190	40	3.00	4.00
	CN1210C-M115	1,210			240	40	3.00	4.00
	CN1370C-M117	1,370			240	40	3.50	6.00
	CN1480C-M118	1,480			370	45	3.50	7.00
CN-E 	CN0940E-M4X8	940			210	50	3.00	3.70
	CN1220E-M6X9	1,220			235	50	3.50	5.80
	CN1520E-M122	1,520			310	65	4.50	11.00
	CN1750E-M126	1,750			345	75	4.50	15.00
CN-S 	CN0985S-M114	985			195	55	3.00	3.00
	CN1100S-M4X6	1,100			195	55	3.00	3.50
	CN1250S-M116	1,250			245	55	5.00	5.00
CT-B 	CN1250S-M116	150			40		2.00	0.18
CT-A 	CN1250S-M116	395			90		3.00	0.70
	CN1250S-M116	500			150		3.00	1.80
RN-A 	CN1250S-M116	690		540	30		3.00	1.50
	CN1250S-M116	1,020		720	30		3.50	3.40

Fittings and Accessories



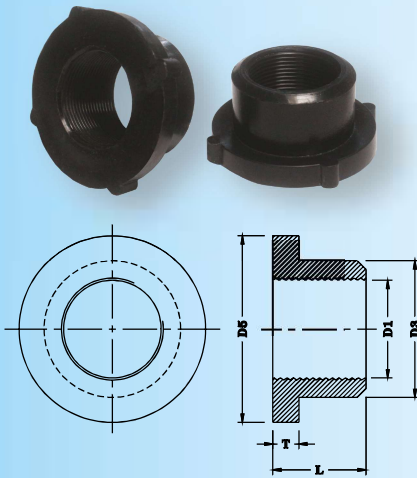
Plastic Welding Gun & Rods



Fittings

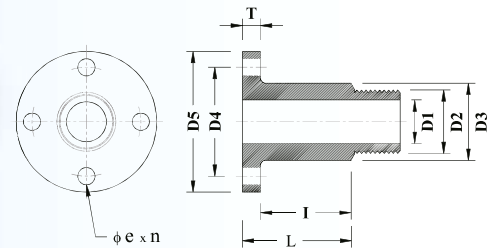


Air Vent



NPT Female Straight

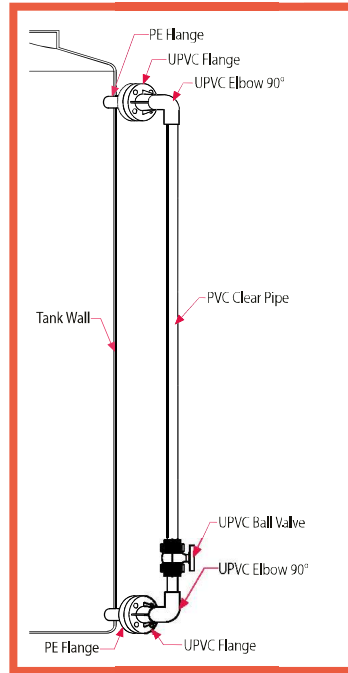
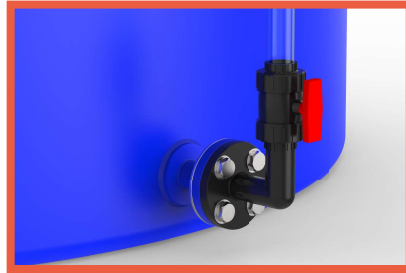
Part Number	Nominal Size		Approx. Dimension (mm.)					Approx. Total Weight (kg)
	mm.	Inch	D1	D3	D5	L	T	
FAM015A	15	1/2	19.6	30	45	26	8	17.5
FAM020A	20	3/4	26	42	55	35	10	32.0
FAM025A	25	1	31.6	46	75	40	12	58.0
FAM040A	40	1-1/2	45	63	86	43	12	82.5
FAM050A	50	2	57	74	95	48	15	108.0
FAM065A	65	2-1/2	71.6	88	95	50	15	152.5
FAM080A	80	3	84	103	109	53	15	152.5
FAM100A	100	4	110	130	144	75	18	307.5
FAM150A	150	6	165	185	195	80	20	-
FAM200A	200	8	215	240	250	80	25	-
FAM250A	250	10	270	300	310	85	30	-



Flanges, JIS 10k (Also available in other standards ie. ANSI, DIN)

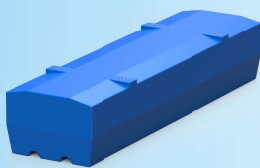
Part Number	Nominal Size		Approx. Dimension (mm.)														Approx Total Weight (kg)	
	mm.	Inch	D1	D2	D3	D4	D5	L	I	φe	D4	D5	L	I	T	φe		n
GAM015A-X	15	1/2	14	19.5	30	70	95	95	80	15	60	89	142	97	15	16	4	0.15
GAM020A-X	20	3/4	18	26.5	35	75	100	95	80	15	70	98	145	95	15	16	4	0.15
GAM025A-X	25	1	25	33.5	42	90	125	95	80	19	79	108	153	93	15	16	4	0.25
GAM040A-X	40	1-1/2	35	47	53	105	140	95	78	19	98	127	160	93	17	16	4	0.35
GAM050A-X	50	2	45	58.5	65	120	155	95	75	19	121	152	160	90	20	19	4	0.45
GAM065A-X	65	2-1/2	60	75	85	140	175	85	65	19	140	178	165	85	20	19	4	0.70
GAM080A-X	80	3	70	86	95	150	185	85	65	19	152	191	165	85	20	19	8	0.70
GAM100A-X	100	4	90	112	120	175	210	80	57	19	191	229	180	82	23	19	8	1.05
GAM150A-X	150	6	150	167	180	240	280	100	75	23	241	279	200	100	25	23	8	1.95
GAM200A-X	200	8	195	217	230	290	330	100	70	23	298	343	210	100	30	22	12	2.95
GAM250A-X	250	10	250	272	300	355	400	100	70	25	362	406	215	100	30	25	12	-

Level Gauge

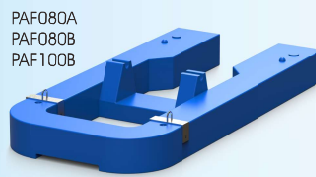


Part Number	Nominal Size		Description
	mm.	Inch	
LGV015A - 00000	15	1/2	PVC, Level Gauge 1/2" w/o Ball Valve
LGV015A - 00001			PVC, Level Gauge 1/2" with 1 x 1/2" Ball Valve
LGV015A - 00002			PVC, Level Gauge 1/2" with 2 x 1/2" Ball Valve
LGV020A - 00000	20	3/4	PVC, Level Gauge 3/4" w/o Ball Valve
LGV020A - 00001			PVC, Level Gauge 3/4" with 1 x 3/4" Ball Valve
LGV020A - 00002			PVC, Level Gauge 3/4" with 2 x 3/4" Ball Valve
LGV025A - 00000	25	1	PVC, Level Gauge 1" w/o Ball Valve
LGV025A - 00001			PVC, Level Gauge 1" with 1 x 1" Ball Valve
LGV025A - 00002			PVC, Level Gauge 1" with 2 x 1" Ball Valve

Float - Polyethylene - Polyurethane foam filled



PIN140A



PAF080A
PAF080B
PAF100B

PAF080A = Standard
PAF080B = Standard + Front Anchor
PAF100B = Standard + Front Anchor



PIF200A



PCF250A
PCF700A
PCF2K0A

Part Number	Permissible Load kg.	Approx. Dimension (mm.)				Reinforcement with Foam filled	Approx. Total Weight (kg)
		Length (L)	Width (W)	Dia. (D)	Height (H)		
PAF080A-M123	40	1,565	750		230	PU Foam	15.50
PAF080B-M123	40	1,565	750		230	PU Foam	15.50
PAF100B-M125	50	1,565	750		270	PU Foam	17.80
PIN140A-M122	70	1,480	410		390	None	11.00
PIF200A-M126	100	1,480	360		450	PU Foam	22.00
PCF250A-M137	125			710	780	PU Foam	34.00
PCF700A-M178	350			1,000	1,135	PU Foam	88.00
PCF2K0A-M281	1,000			1,400	1,775	PU Foam	230.00

Support for PE Tank

Material : mild steel with epoxy coat paint



Hot dip Galvanize

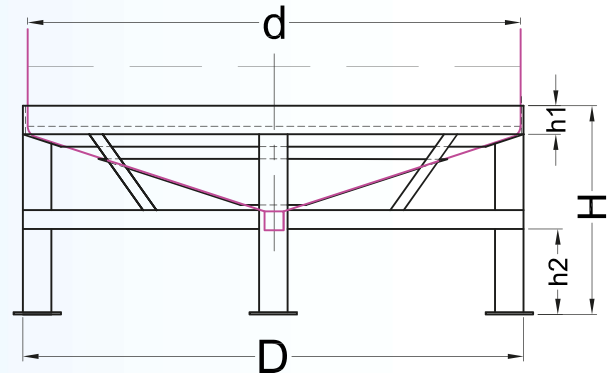


Epoxy Coated



Part Number	Tank Capacity (Ltr.)	Approximate Dimension (mm)				
		Tank Dia (d)	D	h1	h2	H
DAS050A-0400P	50	380	400	50	160	300
DAS100A-0520P	100	500	520	50	180	350
DAS300A-0670P	200-300	650	670	50	200	400
DAS500A-0890P	500	870	890	75	210	450
DAS1K0A-1050P	1,000	1,030	1,050	75	225	500
DAS2K0A-1320P	2,500	1,300	1,320	75	225	550
DAS4K0A-1620P	4,000	1,600	1,620	100	300	700
DAS6k0A-1870P	6,000	1,850	1,870	100	350	750
DAS10KA-2120P	10,000	2,100	2,120	100	400	900
DAS15KA-2520P	15,000	2,500	2,520	100	450	950

Remarks : Material of construction can be customized and subject to price change.



Handrail and Ladder



Handrail and Ladder with Cage



Ladder



Handrail and Ladder